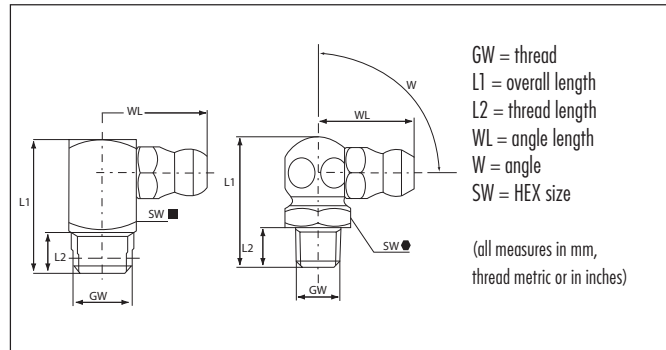


**Type H3**



**Hydraulic-Type Grease Nipples**

- according to DIN 71412
- angled version C/90°
- standard versions according to DIN are made of steel, zinc-plated and passivated, head case-hardened
- with tapered thread
- for other types and materials, please see table, or upon request



GW M 5 x 0.8						Ref.- No.:			
L1	L2	WL	W	SW	Steel	Brass	SST303	SST316L	
18	5.5	13	90°	9mmHEX	1300901				

GW M 6 x 0.75						Ref.- No.:			
L1	L2	WL	W	SW	Steel	Brass	SST303	SST316L	
18	5.5	14	90°	9mmS Q.	1304503				
18	5.5	13	90°	9mm HEX	1300903				

GW M 6 x 1.0						Ref.- No.:			
L1	L2	WL	W	SW	Steel	Brass	SST303	SST316L	
18	5.5	14	90°	9mmS Q.	1304504				
18	5.5	13	90°	9mm HEX	1300904	1310904	1320904	1341630	

GW M 7 x 1.0						Ref.- No.:			
L1	L2	WL	W	SW	Steel	Brass	SST303	SST316L	
18	5.5	13	90°	9mmHEX	1300905				

GW M 8 x 0.75						Ref.- No.:			
L1	L2	WL	W	SW	Steel	Brass	SST303	SST316L	
18	5.5	13	90°	9mmHEX	1300906				

GW M 8 x 1.0						Ref.- No.:			
L1	L2	WL	W	SW	Steel	Brass	SST303	SST316L	
18	5.5	13	90°	9mmHEX	1300907	1310907	1320907	1340907	
18	5.5	14	90°	9mm SQ.	1304507				

GW M 8 x 1.25						Ref.- No.:			
L1	L2	WL	W	SW	Steel	Brass	SST303	SST316L	
18	5.5	14	90°	9mmS Q.	1304508				
18	5.5	13	90°	9mm HEX	1300908	1310908	1320908		

GW M 10 x 1.0						Ref.- No.:			
L1	L2	WL	W	SW	Steel	Brass	SST303	SST316L	
18	5.5	15	90°	11mm SQ.	1304709				
20	5.5	14	90°	11mm HEX	1301109	1311109	1321109	1341109	
42	7	15	90°	11mm SQ.	5242092				

GW M 10 x 1.25						Ref.- No.:			
L1	L2	WL	W	SW	Steel	Brass	SST303	SST316L	
20	5.5	14	90°	11mm HEX	1301110				

GW M 10 x 1.5						Ref.- No.:			
L1	L2	WL	W	SW	Steel	Brass	SST303	SST316L	
20	5.5	14	90°	11mm HEX	1301111		1321111		

GW M 12 x 1.0						Ref.- No.:			
L1	L2	WL	W	SW	Steel	Brass	SST303	SST316L	
22	6.5	14	90°	14mm HEX	1301412				

GW M 12 x 1.5						Ref.- No.:			
L1	L2	WL	W	SW	Steel	Brass	SST303	SST316L	
22	6.5	14	90°	14mm HEX	1301414				

GW M 12 x 1.75						Ref.- No.:			
L1	L2	WL	W	SW	Steel	Brass	SST303	SST316L	
22	6.5	14	90°	14mm HEX	1301415			1341415	

GW M 14 x 1.5						Ref.- No.:			
L1	L2	WL	W	SW	Steel	Brass	SST303	SST316L	
22	6.5	14	90°	14mm HEX	1301417				

GW M 14 x 2.0						Ref.- No.:			
L1	L2	WL	W	SW	Steel	Brass	SST303	SST316L	
22	6.5	14	90°	14mm HEX	1301419				